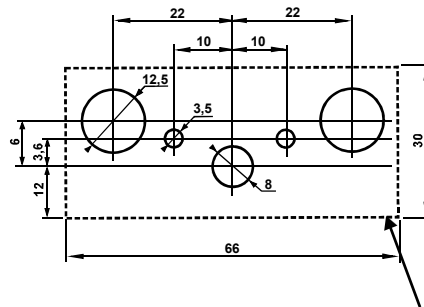


Planning the height of the intercom space the height must also be taken into account spacer plate. Sketch of the spacer plate is below

Planning the depth of the place where it will be built Intercom IC-17 should take into account the length of the connector and a place to bend cables.



A dashed line indicates a place that belongs plan in the built-in dashboard Intercom. It is also a dimension spacer plate

Data:	December 2021	Version:	1,1	Type:	Sketch dimensional
Skala:	1 : 1,5	Change:	2	Item:	Interkom IC-17